

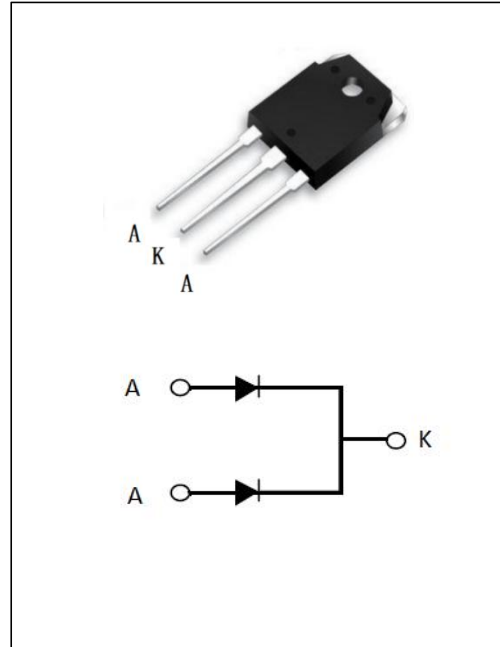
SCHOTTKY RECTIFIERS

Features:

- High ESD capacity
- High junction temperature capability
- High frequency operation
- Low leakage current
- High surge capacity

Applications:

- Switching mode power supply
- High frequency inverter circuit
- Polarity protection circuit



| Product Summary | |
|----------------------|--------|
| V _R | 150 V |
| I _{F(AV)} | 2*20A |
| T _j | 150°C |
| V _{F(max.)} | 0.950V |

| Absolute Maximum Ratings | | | |
|---------------------------------------|--------------------|-------------|-------|
| Parameter | Symbol | Values | Units |
| Repetitive peak reverse voltage | V _{RRM} | 150 | V |
| Continuous forward current | I _{F(AV)} | 40 | A |
| Single pulse forward current | I _{FSM} | 250 | |
| Operating junction | T _j | 150 | °C |
| Storage temperatures | T _{stg} | -55 to +150 | °C |
| Peak Repetitive Reverse Surge Current | I _{RRM} | 10 | A |

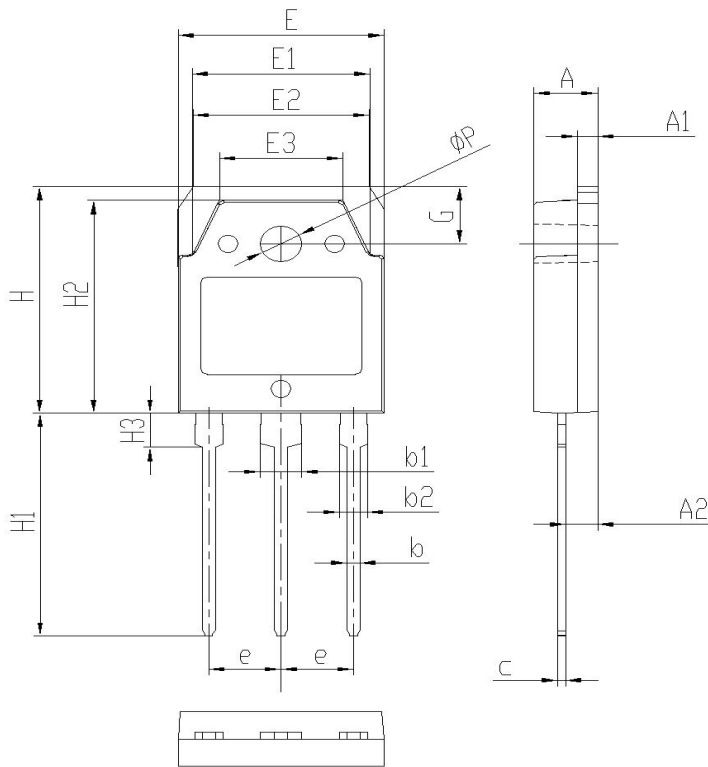
| Electrical characteristics (Ta=25°C unless otherwise specified) | | | | | | |
|---|---------------------|------------------------------|-----|------|------|---------|
| Parameter | Symbol | Test Conditions | Min | Typ. | Max. | Units |
| Breakdown voltage Blocking voltage | V_{BR} , V_R | $I_R=100\mu A$ | 150 | | | V |
| Forward voltage (Per Diode) | V_F | $I_F=20A$ | | | 0.95 | |
| | | $I_F=20 A, T_j =125^\circ C$ | | | 0.85 | |
| Reverse leakage current(Per Diode) | I_R | $V_R= V_{RRM}$ | | | 50 | μA |
| | | $T_j=125^\circ C, V_R=150V$ | | | 30 | mA |

Thermal characteristics

| Parameter | Symbol | Typ. | Units |
|------------------|-----------------|------|--------------|
| Junction-to-Case | $R_{\theta JC}$ | 2 | $^\circ C/W$ |

Package Information

TO-3PB PACKAGE



| Symbol | UNIT mm | | |
|----------|---------|------|------|
| | Min | Typ | Max |
| A | 4.60 | 4.80 | 5.00 |
| A1 | 1.3 | 1.5 | 1.7 |
| A2 | 2.20 | 2.40 | 2.60 |
| b | 0.80 | 1.0 | 1.20 |
| b1 | 2.90 | 3.10 | 3.30 |
| b2 | 1.80 | 2.00 | 2.20 |
| c | 0.50 | 0.60 | 0.70 |
| e | 5.25 | 5.45 | 5.65 |
| E | 15.2 | 15.6 | 16.0 |
| E1 | 13.2 | 13.4 | 13.6 |
| E2 | 15.1 | 15.3 | 16.5 |
| E3 | 9.1 | 9.3 | 9.5 |
| H | 19.8 | 20.0 | 20.2 |
| H1 | 19.0 | 19.5 | 20.0 |
| H2 | 18.3 | 18.5 | 18.7 |
| H3 | 2.8 | 3.0 | 3.2 |
| G | 4.8 | 5.0 | 5.2 |
| ΦP | 3.00 | 3.20 | 3.40 |