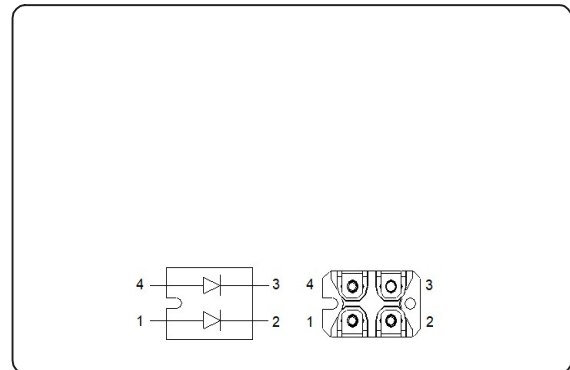


HFME120W40

Ultrafast Rectifier Module, 2x60A

FEATURES

- Two fully independent diodes
- Fully insulated package
- Ultrafast ,soft reverse recovery,with high operation junction temperature (175°C Tj)
- Lo forward voltage drop
- Optimized for power conversion:welding and industrial SMPS applications
- Easy to use and parallel
- Industry standard outline
- Designed and qualified for industrial level



ABSOLUTE MAXIMUM RATINGS

PARAMETE	SYMBOL	TEST CONDITIONS	MAX	UNIT
Cathode to anode voltage	V _R		400	V
Continuous forward current per diode	I _F	T _C =90°C	60A	A
Single pulse forward current per diode	I _{FSM}	T _C =25°C	800	A
RMS isolation voltage	V _{isol}	Any terminal to case,t=1 minute	2500	V
Operating junction and storage temperatures	T _J ,T _{stg}		-55to175	°C

ELECTRICAL SPECIFICATIONS(per diode)

PARAMETE	SYMBOL	TEST CONDITIONS	MIN	TYP	MAX	UNITS
DC forward voltage	V _F	I _F =60A T _J =25°C		1.2		V
DC reverse current	I _R	V _R =400V T _J =25°C		5		uA
		V _R =400V T _J =125°C		1		mA
Reverse recovery time	t _{rr}	I _F =1.0A,dI _F /dt=200A/μS,V _R =30V	-	40	-	nS
		T _J =25°C	-	75		
		T _J =125°C		150		
Peak recovery current	I _{RRM}	T _J =25°C		10		A
		T _J =125°C		20		
Reverse recovery charge	Q _{rr}	T _J =25°C		500		nC
		T _J =125°C		1750		

THERMAL-MECHANICAL SPECIFICATIONS

PARAMETE	SYMBOL	TEST CONDITIONS	MIN	TYP	MAX	UNITS
Junction to case ,single leg conducting	R _{thjc}		-	-	0.43	°C/w
Junction to case ,both leg conducting			-	-	0.215	
Case to heatsink	R _{thcs}	Flat,greased surface		0.05		
Weight				30		g
Mounting torque				1.3		Nm

HFME120W40

DIMENSIONS in millimeters

SOT-227 package

